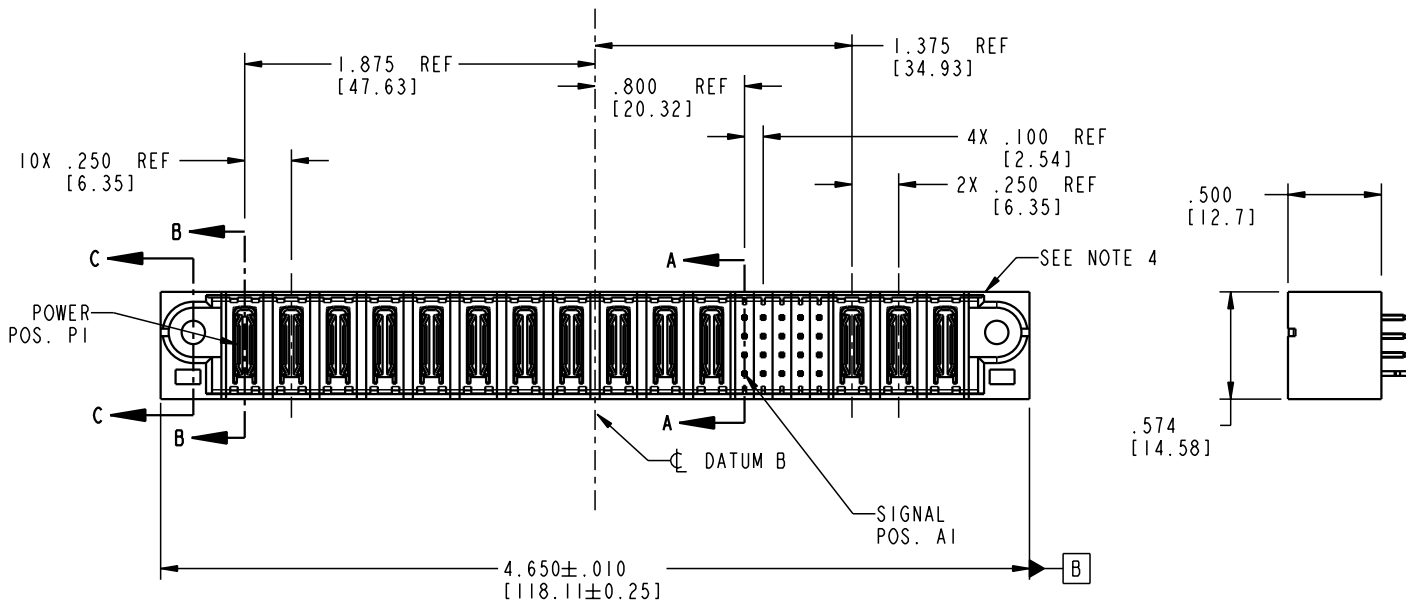
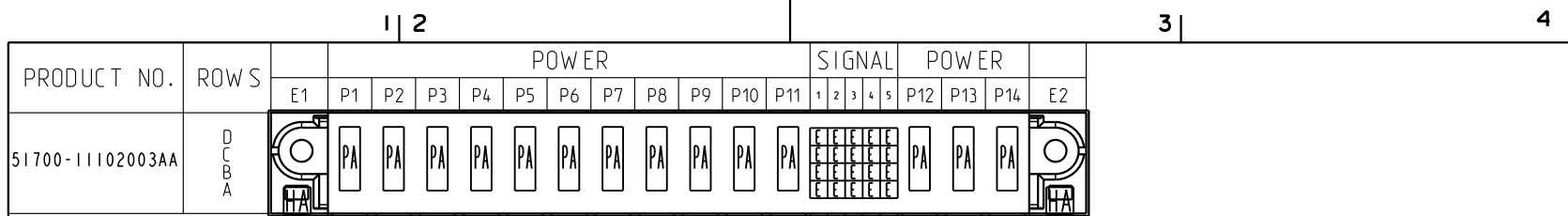


Tous droits strictement reserves. Reproduction ou communication a des tiers interdite sous quelque forme que ce soit sans autorisation ecrite du proprietaire. Propriete de c FCI. Droits de reproduction FCI.

All rights strictly reserved. Reproduction or issue to third parties in any form whatever is not permitted without written authority from the proprietor. Property of FCI. Copyright FCI.



CODE	DIM "M" MATING LENGTH	CONTACT TYPE
PA	N/A [N/A]	POWER
E	.270 [6.86]	SIGNAL
HA	N/A [N/A]	HOLD-DOWN

mat'l code		SEE NOTE 2		tolerances unless otherwise specified		CUSTOMER		 www.fciconnect.com	
ltr	ecn no.	dr	date	linear	$.XX \pm .01 / 0.X \pm 0.3$ $.XXX \pm .005 / 0.XX \pm 0.13$ $.XXX \pm .0020 / 0.XXX \pm 0.051$	COPY		title	
A	V03-0741	MEM	7/3/03	angles	$0^\circ \pm 2^\circ$	projection		 IIP + 20S + 3P VERTICAL SOLDER HEADER	
				dr	M. MOSTOLLER 7/3/03	INCH/MM		product family	
				enr	M. MOSTOLLER 7/3/03	scale		PwrBlade	
				chr	H. BREWBAKER 7/3/03	1:1		code	
				appd	M. MOSTOLLER 7/3/03			size	
sheet index		revision sheet						dwg no	
		1 2						A 51700-11102003AA	
								sheet	
								1 of 4	
								B	

cage code 22526

Pro/E

PDM: Rev:A

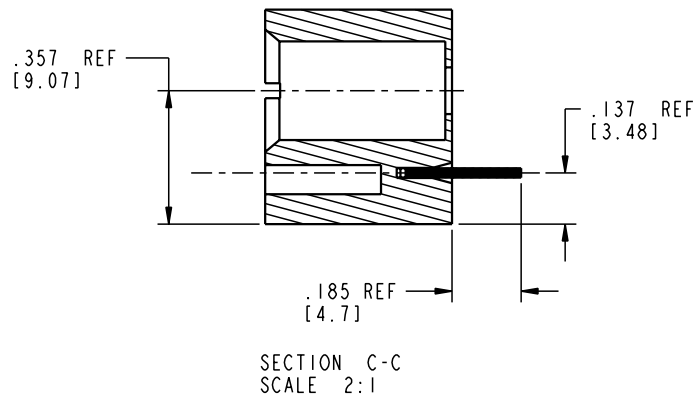
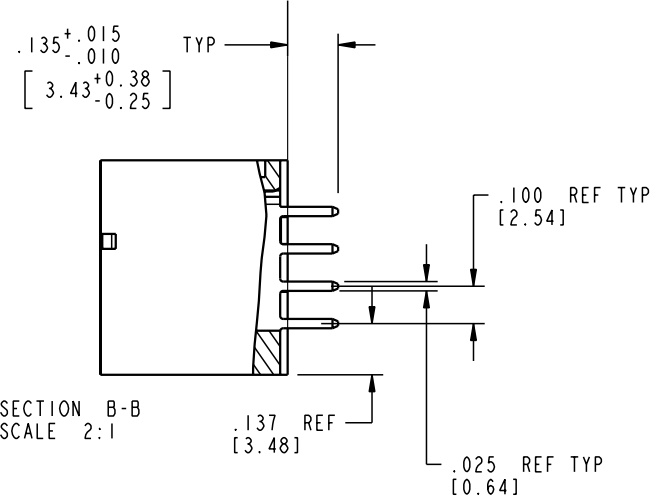
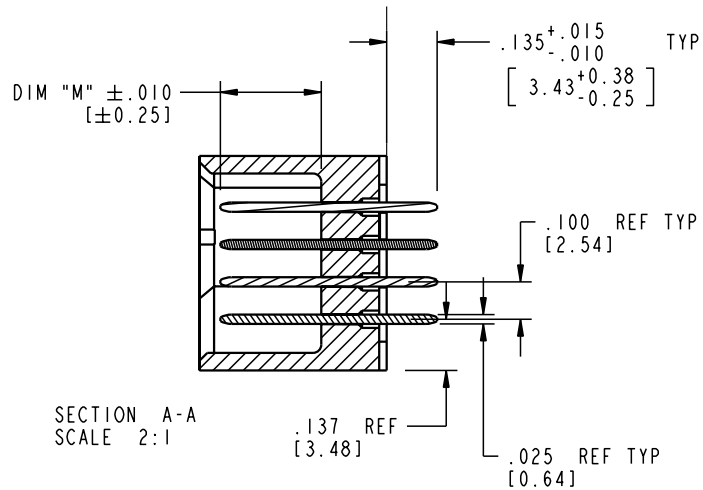
STATUS: Released

Printed: Aug 11, 2007

Tous droits strictement reserves. Reproduction ou communication a des tiers interdite sous quelque forme que ce soit sans autorisation ecrite du proprietaire. Propriete de c FCI. Droits de reproduction FCI.

All rights strictly reserved. Reproduction or issue to third parties in any form whatever is not permitted without written authority from the proprietor. Property of FCI. Copyright FCI.

PRODUCT NUMBER
51700-11102003AA



mat'l code		SEE NOTE 2		tolerances unless otherwise specified		CUSTOMER		 www.fciconnect.com	
ltr	ecn no.	dr	date	linear	$.XX \pm .01 / 0.X \pm 0.3$	COPY		title	
A				projection	$.XXX \pm .005 / 0.XX \pm 0.13$			IIP + 20S + 3P	
				angles	$.XXX \pm .0020 / 0.XXX \pm 0.051$			VERTICAL SOLDER HEADER	
				dr	M. MOSTOLLER 7/3/03	INCH/MM		product family	
				enr	M. MOSTOLLER 7/3/03	scale		PwrBlade	
				chr	H. BREWBAKER 7/3/03	1:1		code	
				appd	M. MOSTOLLER 7/3/03			213	
sheet index		revision sheet						size	
								dwg no	
								A 51700-11102003AA	
								sheet	
								2 of 4	

cage code 22526

Pro/E

PDM: Rev:A

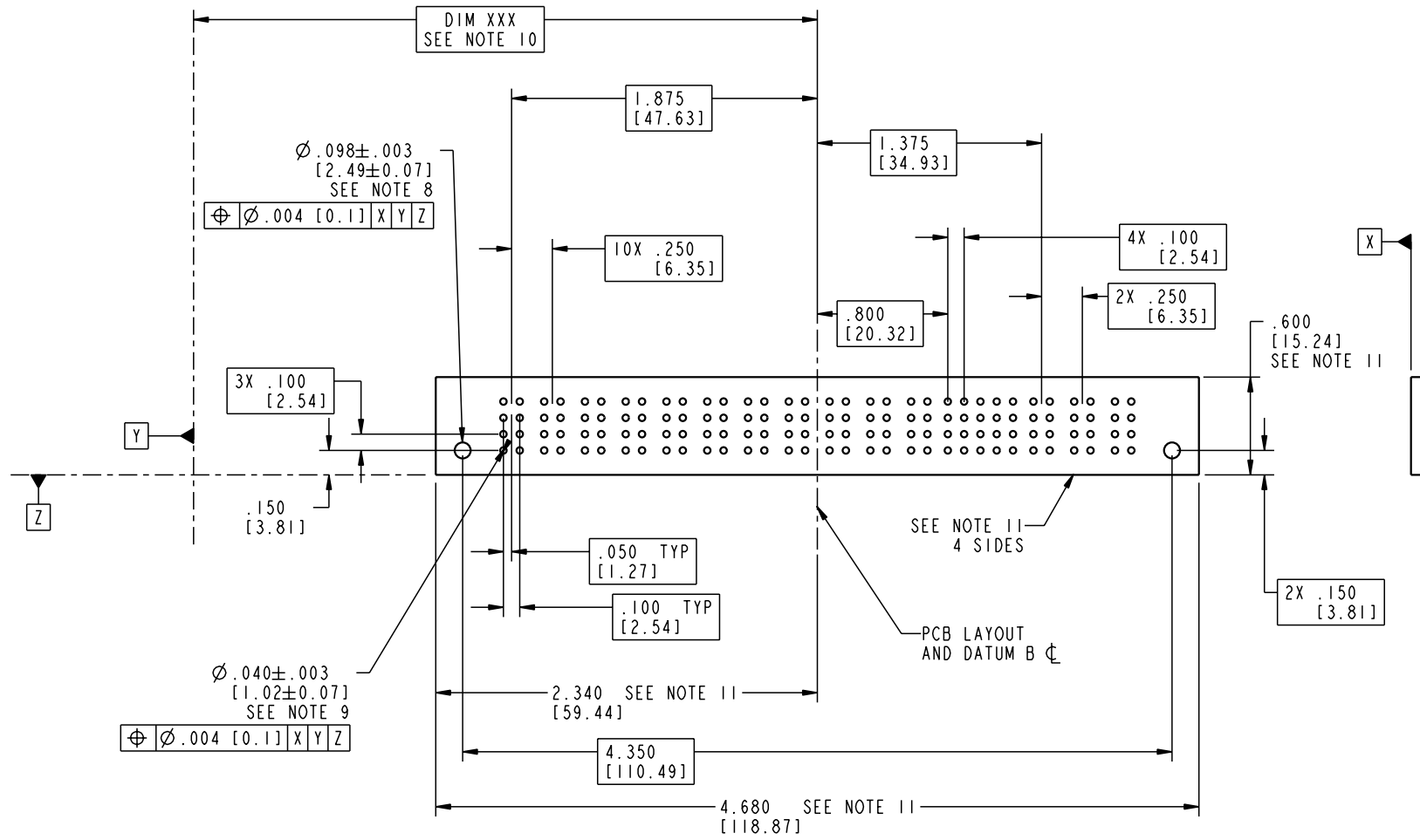
STATUS: Released

Printed: Aug 11, 2007

Tous droits strictement reserves. Reproduction ou communication a des tiers interdite sous quelque forme que ce soit sans autorisation ecrite du proprietaire. Propriete de c FCI. Droits de reproduction FCI.

All rights strictly reserved. Reproduction or issue to third parties in any form whatever is not permitted without written authority from the proprietor. Property of FCI. Copyright FCI.

PRODUCT NUMBER
51700-11102003AA



mat'l code		SEE NOTE 2		tolerances unless otherwise specified		CUSTOMER		 www.fciconnect.com	
ltr	ecn no.	dr	date	linear	$XX \pm .01 / 0.X \pm 0.3$	COPY		title	
A				projection	$XXX \pm .005 / 0.XX \pm 0.13$			IIP + 20S + 3P VERTICAL SOLDER HEADER	
				angles	$.XXX \pm .0020 / 0.XXX \pm 0.051$			product family PwrBlade code 213	
				dr	M. MOSTOLLER 7/3/03	INCH/MM		size	
				enr	M. MOSTOLLER 7/3/03	scale		dwg no	
				chr	H. BREWBAKER 7/3/03	1:1		A 51700-11102003AA	
				appd	M. MOSTOLLER 7/3/03			sheet 3 of 4	
sheet index	revision sheet								

cage code 22526

Pro/E

Tous droits strictement reserves. Reproduction ou communication o des tiers interdite sous quelque forme que ce soit sans autorisation ecrite du proprietaire. Propriete de c FCI. Droits de reproduction FCI.

All rights strictly reserved. Reproduction or issue to third parties in any form whatever is not permitted without written authority from the proprietor. Property of FCI. Copyright FCI.



PRODUCT NUMBER
51700-11102003AA

NOTES:

1. DIMENSIONS AND TOLERANCES ARE IN ACCORDANCE WITH ASME Y14.5M, 1994 UNLESS OTHERWISE SPECIFIED.

CONNECTOR NOTES:

- 2 HOUSING MATERIAL: UL 94 V-0 GLASS FILLED
HIGH-TEMP THERMOPLASTIC
POWER CONTACT MATERIAL: COPPER ALLOY
SIGNAL PIN MATERIAL: COPPER ALLOY
- 3. PLATING:
SIGNAL PINS: 30u"/0.76um Au OVER 50u"/1.27um Ni
POWER CONTACTS: 50u"/1.27um Ni UNDER ALL
WITH 30u"/0.76um Au ON CONTACT AREA
AND SnPb ON PCB INTERFACE
- 4 MANUFACTURER'S NAME, P/N, AND DATE CODE TO APPEAR ON THIS SURFACE.
- 5. PRODUCT SPECIFICATION GS-12-149.
APPLICATION SPECIFICATION BUS-20-067.
- 6. PACKAGED IN TRAYS.

PCB NOTES:

- 7. ALL HOLE DIAMETERS ARE FINISHED HOLE SIZE.
- 8. MOUNTING HOLES, WHERE APPLICABLE, ARE UNPLATED.
- 9 $\varnothing .0453 \pm .0010$ [1.151 \pm 0.025] DRILLED HOLES PLATED WITH .0003 [0.008] MIN SnPb OVER .001 [0.03] TO .003 [0.08] Cu PLATING TO ACHIEVE $\varnothing .040 \pm .003$ [1.02 \pm .07] HOLE.
- 10 "DIM XXX" TO BE DETERMINED BY THE CUSTOMER.
- 11 CONNECTOR KEEP-OUT ZONE.

mat'l code		SEE NOTE 2		tolerances unless otherwise specified		CUSTOMER		www.fciconnect.com	
ltr	ecn no.	dr	date	linear	$.XX \pm .01 / 0.X \pm 0.3$	COPY		title	
A				projection	$.XXX \pm .005 / 0.XX \pm 0.13$			IIP + 20S + 3P VERTICAL SOLDER HEADER	
				angles	$.XXX \pm .0020 / 0.XXX \pm 0.051$			product family	
				dr	M. MOSTOLLER 7/3/03	INCH/MM		PwrBlade	
				enr	M. MOSTOLLER 7/3/03	scale		code	
				chr	H. BREWBAKER 7/3/03	1:1		213	
				appd	M. MOSTOLLER 7/3/03			sheet	
sheet index		revision sheet						4 of 4	

cage code 22526

Pro/E

PDM: Rev:A

STATUS: Released

Printed: Aug 11, 2007